



Local Governments Empowering Our Communities

Preparing for the Growth of Energy Storage – What Cities Need to Know

WIFI: ZNEC Campus Guest **Password:** hoprighton

November 14, 2019



Programs

- Single Family Home+
- Bay Area Multifamily Building Enhancement (BAMBE)
- Commercial Pay for Performance
- Water Bill Savings
- Codes and Standards



Codes and Standards

Joint effort of Bay Area local governments to support the development and implementation of tools, best practices, trainings, and policies for accelerating compliance with, and exceeding, California Title 24, Part 6.

Two Broad Areas of Effort

- **Compliance Improvement:** Investigate areas for improvement in code enforcement processes & offer solutions
- **Policy:** Share best practices & develop regional resources for going above code



Codes and Standards

Energy Code Trainings

- **Free**, in-person, on demand, short & long versions, ICC CEUs
- Topics include:
 - 2019 Energy Code Changes – Res & Nonres
 - Heat Pump Water Heaters
 - Residential ZNE for New Construction
 - HERS Registry
 - Residential Forms & Permit Submittals for Additions
 - And more, including non-residential topics

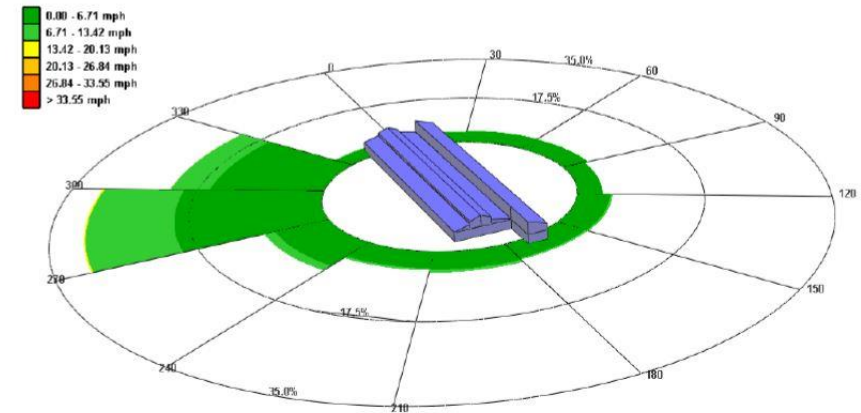


<https://www.bayrencodes.org/services/trainings/>

Codes and Standards

Municipal ZNE Assistance

- **Technical Assistance: No-cost** engineering analysis to help local governments explore what it would take for municipal buildings to become ZNE, or to demonstrate ZNE policy feasibility for municipal building portfolios.
- **Municipal ZNE RFP and OPR Template Language:** Request for proposal (RFP) and owner project requirements (OPR) template language for local governments to encourage developers to construct new municipal buildings to ZNE.



Codes and Standards

ePermit Tool

A free, user-friendly online tool that provides information and building permit forms for three of the most common types of home projects:

- Replacing a hot water heater
- Replacing all or part of a roof
- Replacing or adding new windows



Available at:

<https://www.bayrenepermittool.com/generic#!/>



Bay Area Air Quality Management District

Regional air pollution control agency

- Regulate stationary sources of pollution
- 24-member Board of Directors, locally elected officials

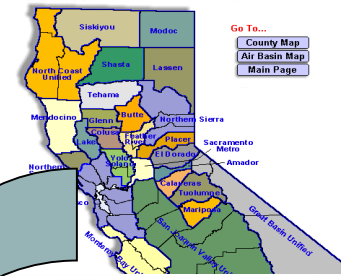
Large, complex region

- 9 counties / 101 cities
- 7 million people
- 5 million vehicles

Anticipated growth by 2040

- 9 million people
- 20% increase in driving

California Air Districts



Spare the Air - Cool the Climate

A *multi-pollutant* regional clean air plan featuring a comprehensive strategy of 85 measures across 9 sectors

Goals:

- GHG emissions reductions of **80% by 2050** (below 1990 levels)
- Eliminate disparities in health risk from air pollution



Stationary (Industrial) Sources

Transportation

Energy

Buildings

Agriculture

Natural & Working Lands

Waste Management

Water

Super-GHG Pollutants



BAAQMD Toolbox

RULES

INCENTIVES

**LOCAL
GOVERNMENT
SUPPORT**

**COORDINATION/
COLLABORATION**



Presentations & Materials

All presentations & materials will be emailed to you
and available on the
<https://www.bayrencodes.org/events>

Disclaimer

The views expressed in these presentations are those of the author(s) and do not necessarily reflect the position of the Association of Bay Area Governments, the Bay Area Regional Energy Network or the jurisdictions that BayREN represents. Any questions pertaining to the views and information in the presentations should be directed to the author(s).

Introduction

Setting the context

Meeting Agenda

8:30am – 9:00am

Continental Breakfast & Networking

9:00am – 9:20am

Welcome & Introductions

Jennifer West, BayREN Representative, StopWaste
Axum Teferra, Bay Area Air Quality Management District

9:20am – 10:10am

Energy Storage Bootcamp: From the Basics to the Complex

Jin Noh, California Energy Storage Alliance

10:10 am – 10:30am

2019 Energy Code Standards – Battery Storage Systems

Peter Strait, California Energy Commission

10:30am – 10:40am

Request for Input on Local Government Electrification Toolkit

Amy Rider, Building Decarbonization Coalition

10:40am – 10:55am

Break

10:55am – 11:35am

Energy Experiences and Installation in Fremont

Rachel DiFranco & Jay Swardenski, City of Fremont

11:35am – 11:55am

Solar and Storage for Resilience in Response to an Unreliable Grid

JP Ross, East Bay Community Energy

11:55am – 12:00pm

Closing Comments

Jennifer West, BayREN Representative, StopWaste

Presenters

Jin Noh

California Energy Storage Alliance



Peter Strait

California Energy Commission



Rachel DiFranco
City of Fremont



Jay Swardenski
City of Fremont



JP Ross
East Bay Community Energy

Introduction

- Energy Efficiency first
- Heat Pump Water Heaters

- Who is in the room?

Building Decarbonization Coalition Local Government Electrification Toolkit

Request for Feedback on Design and Content

- Participant feedback form:
<https://www.surveymonkey.com/r/6VL322W>
- Review the sample content posters here:
https://drive.google.com/open?id=1_MnkMejmaAoTJTzXtK0YW5rjvzWUh0WK

Energy Storage Systems (ESS) Resources

A list of local government resources on policy and code compliance relevant to the deployment of energy storage systems (EES).

Available at:

bayrencodes.org/resources/ess/

